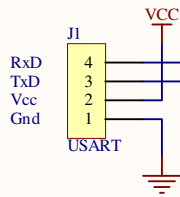
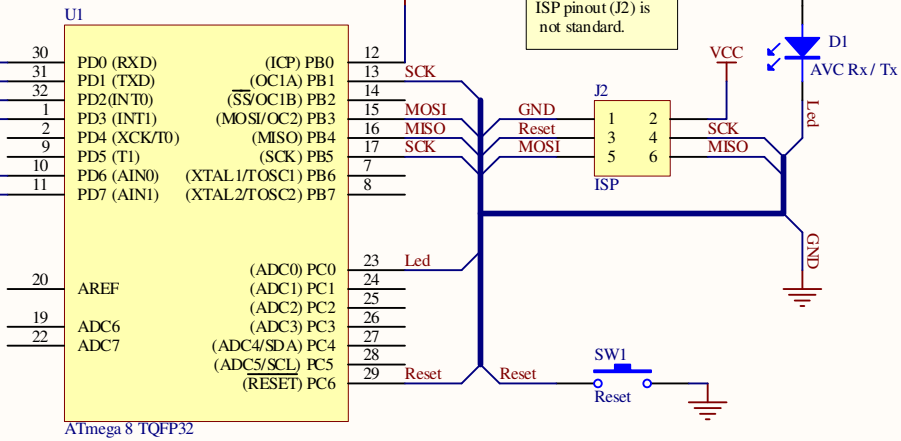


Warning 1
An external RS-232 level converter (e.g. MAX-232) must be used with the USART port (J1).



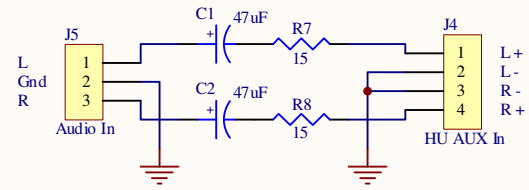
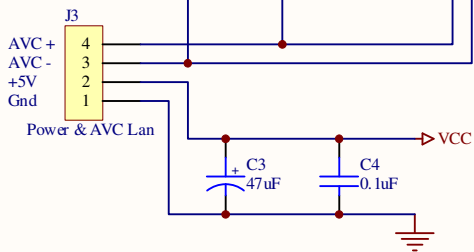
Note 1
PB0 & PB1 are used for PCB routing purpose only.

Warning 2
ISP pinout (J2) is not standard.



Note 2
This 150 ohms bus termination resistor is not installed unless the wire length between the HU and this board is several inches long.
When using this resistor you will have to adjust R2, R3, R4 and R6.

Warning 3
This implementation is intended to be installed inside the head unit and powered from the internal 5V.
Do NOT power the board with 12V.



Title:			Copyright 2007	
Size: Letter	Designed by: Louis Frigon	Rev: A	SigmaObjects Inc.	
Date: 26/08/2007	Sheet 1 of 1	info@sigmaobjects.com		
File: Toyota AUX Enabler.SCHDOC			