

1

2

3

4

A

A

2.5''

1.0''

B

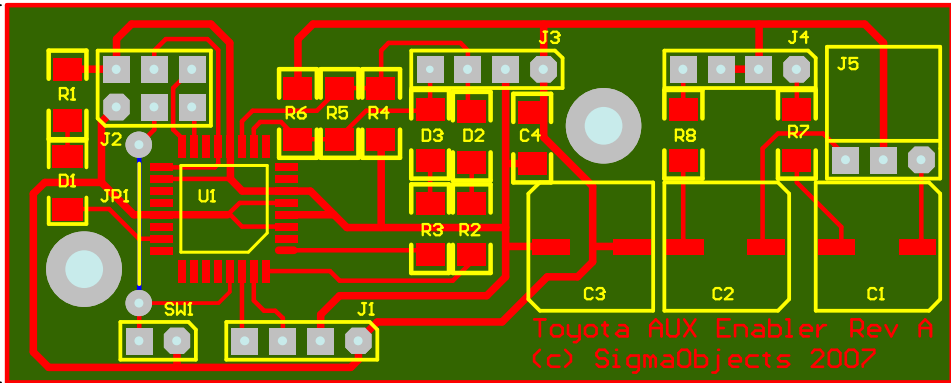
B

C

C

D

D



Title: Toyota AUX Input Enabler		Copyright 2007	
Designed by: Louis Frigon	Rev A	SigmaObjects Inc	
Date: 21/4/2007	Sheet 1 of 1	info@sigmaobjects.com	

1

2

3

4